

HCD-SHAKE10/SHAKE30/ HCDSHAKEX10/HCDSHAKEX30/HCDSHAKEX70

SERVICE MANUAL

Ver. 1.4 2021.03



Photo: HCDSHAKEX70

- HCD-SHAKE10 is the tuner, USB, CD Player, Bluetooth, NFC and amplifier section in SHAKE-X10.
- HCD-SHAKE30 is the tuner, USB, CD Player, Bluetooth, NFC and amplifier section in SHAKE-X30.
- HCDSHAKEX10 is the tuner, USB, DVD Player, Bluetooth, NFC and amplifier section in SHAKE-X10D.
- HCDSHAKEX30 is the tuner, USB, DVD Player, Bluetooth, NFC and amplifier section in SHAKE-X30D.
- HCDSHAKEX70 is the tuner, USB, DVD Player, Bluetooth, NFC and amplifier section in SHAKE-X70D.

Note:

Be sure to keep your PC used for service and checking of this unit always updated with the latest version of your anti-virus software. In case a virus affected unit was found during service, contact your Service Headquarters.

US Model

Canadian Model

HCD-SHAKE10/SHAKE30

AEP Model

Thai Model

HCDSHAKEX30/HCDSHAKEX70

UK Model

HCDSHAKEX30

Russian Model

Australian Model

HCDSHAKEX10/HCDSHAKEX30

E Model

HCDSHAKEX10/

HCDSHAKEX30/

HCDSHAKEX70

NZNEEDAMAR - Sun, 11 Jan 2026 21:56:27 GMT

CD/DVD Section	Model Name Using Similar Mechanism	HCD-SHAKE1/SHAKEX3/SHAKEX7
	CD/DVD Mechanism Type	CDM90-DVBU204//M
	Optical Pick-up Name	CMS-S76RFS7GP

SPECIFICATIONS

AUDIO POWER SPECIFICATIONS

POWER OUTPUT AND TOTAL HARMONIC DISTORTION: (US models only)

Shake-X30 only

With 4 ohm loads, both channels driven, from 150 Hz – 20,000 Hz; rated 90 watts per channel minimum RMS power, with no more than 0.7% total harmonic distortion from 250 milliwatts to rated output.

Shake-X10 only

With 4 ohm loads, both channels driven, from 150 Hz – 20,000 Hz; rated 80 watts per channel minimum RMS power, with no more than 0.7% total harmonic distortion from 250 milliwatts to rated output.

Inputs

AUDIO/PARTY CHAIN IN L/R (SHAKE-X10/X30):

Voltage 2 V, impedance 47 kilohms

AUDIO/PARTY CHAIN IN (TV) L/R (SHAKE-X10D/X30D/X70D):

Voltage 2 V, impedance 47 kilohms

TV (ARC) (SHAKE-X10D/X30D/X70D):

Supported audio signal: 2-channel Linear PCM

MIC1:

Sensitivity 1 mV, impedance 10 kilohms

MIC2/GUITAR:

Sensitivity 1 mV, impedance 10 kilohms (When guitar mode is turned off.)
Sensitivity 200 mV, impedance 1 Megaohm (When guitar mode is turned on.)

Outputs

AUDIO/PARTY CHAIN OUT L/R:

Voltage 2 V, impedance 1 kilohm

VIDEO OUT (SHAKE-X10D/X30D/X70D):

Max. output level 1 V_{p-p}, unbalanced, Sync. negative load impedance 75 ohms

HDMI OUT (TV) (SHAKE-X10D/X30D/X70D):

Supported audio signal: 2-channel Linear PCM (up to 48 kHz), Dolby Digital

HDMI section (SHAKE-X10D/X30D/X70D)

Connector: Type A (19 pin)

Disc player section

System:

Compact disc and digital audio system (SHAKE-X10/X30)
Compact disc and digital audio and video system (SHAKE-X10D/X30D/X70D)

Laser Diode Properties

Emission Duration: Continuous
Laser Output*: Less than 44.6 μW
* This output is the value measurement at a distance of 200 mm from the objective lens surface on the Optical Pick-up Block with 7 mm aperture.

Frequency response:

20 Hz – 20 kHz

Video color system format (SHAKE-X10D/X30D/X70D):

LA9 model: NTSC
Other models: NTSC and PAL

USB section

Supported USB device: Mass Storage Class

Maximum current:

1 A

⚡ (USB) port: Type A

FM tuner section

FM stereo, FM superheterodyne tuner

Antenna:

FM lead antenna

Tuning range:

87.5 MHz – 108.0 MHz (100 kHz step) (SHAKE-X10/X30)
87.5 MHz – 108.0 MHz (50 kHz step) (SHAKE-X10D/X30D/X70D)

BLUETOOTH section

Communication system:

BLUETOOTH Standard version 3.0

Output:

BLUETOOTH Standard Power Class 2

Maximum communication range:

Line of sight approx. 10 m (33 ft)¹

Frequency band:

2.4 GHz band (2.4000 GHz – 2.4835 GHz)

Modulation method:

FHSS (Freq Hopping Spread Spectrum)

Compatible BLUETOOTH profiles²:

A2DP (Advanced Audio Distribution Profile)
AVRCP (Audio Video Remote Control Profile)
SPP (Serial Port Profile)

Supported codecs:

SBC (Subband Codec)
AAC (Advanced Audio Coding)
LDAC

¹ The actual range will vary depending on factors such as obstacles between devices, magnetic fields around a microwave oven, static electricity, reception sensitivity, antenna's performance, operating system, software application, etc.

² BLUETOOTH standard profiles indicate the purpose of BLUETOOTH communication between devices.

– Continued on next page –

9-890-688-05

2021C33-1

© 2021.03

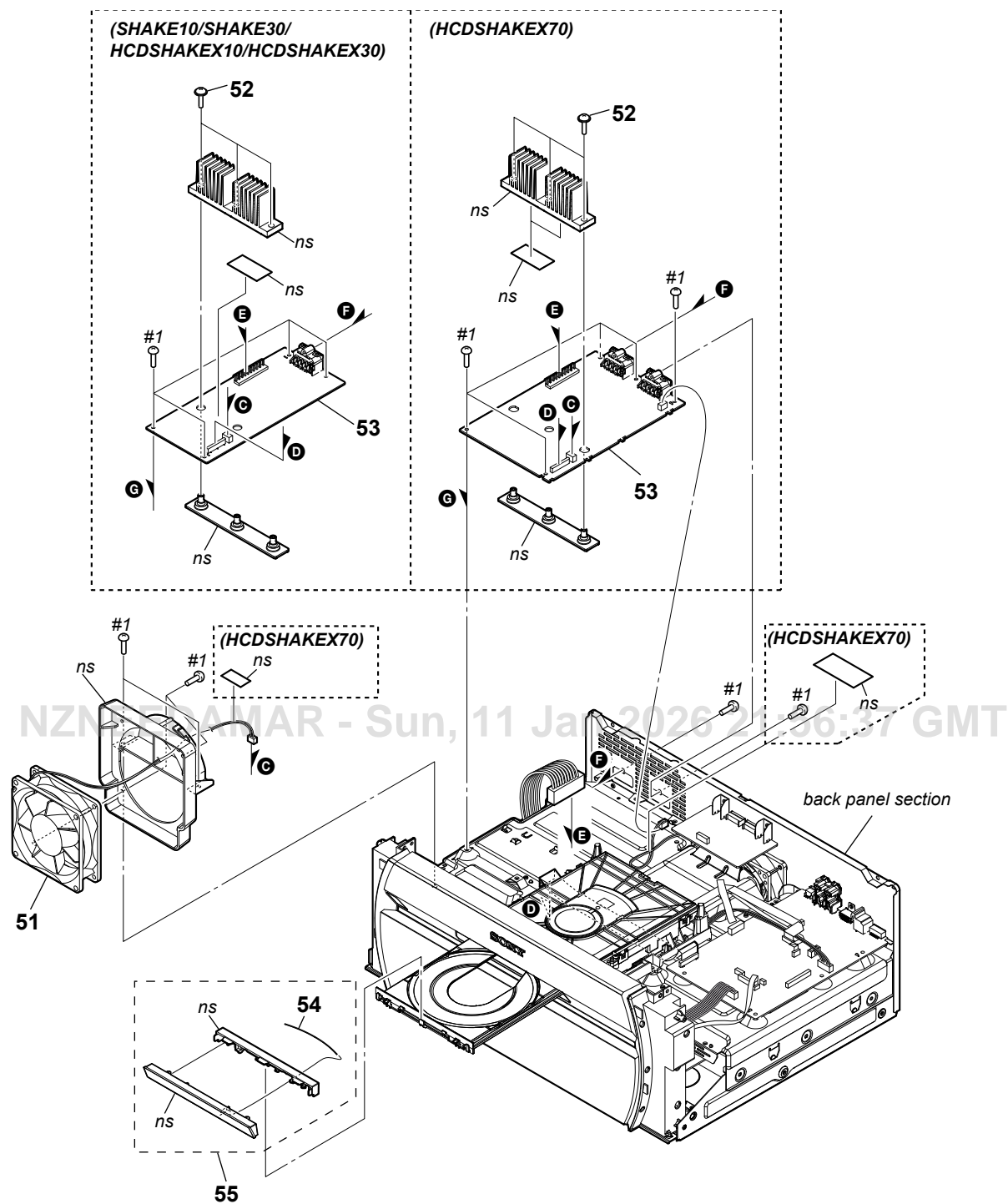
Sony Home Entertainment &
Sound Products Inc.

CD/DVD RECEIVER
SONY®

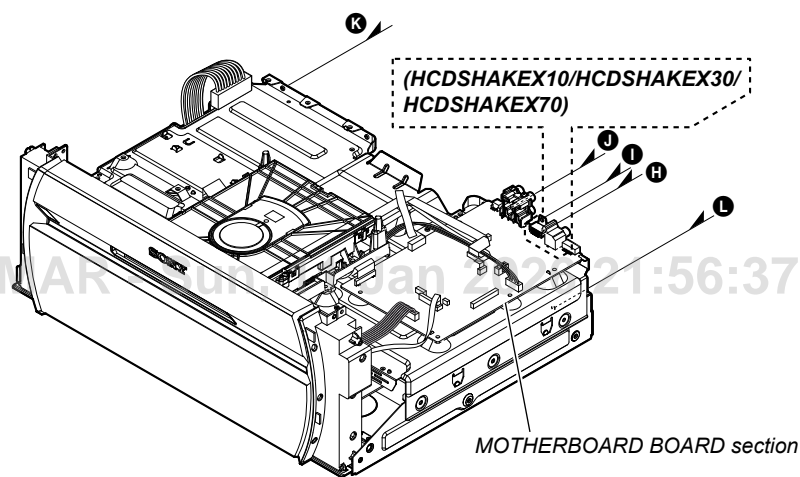
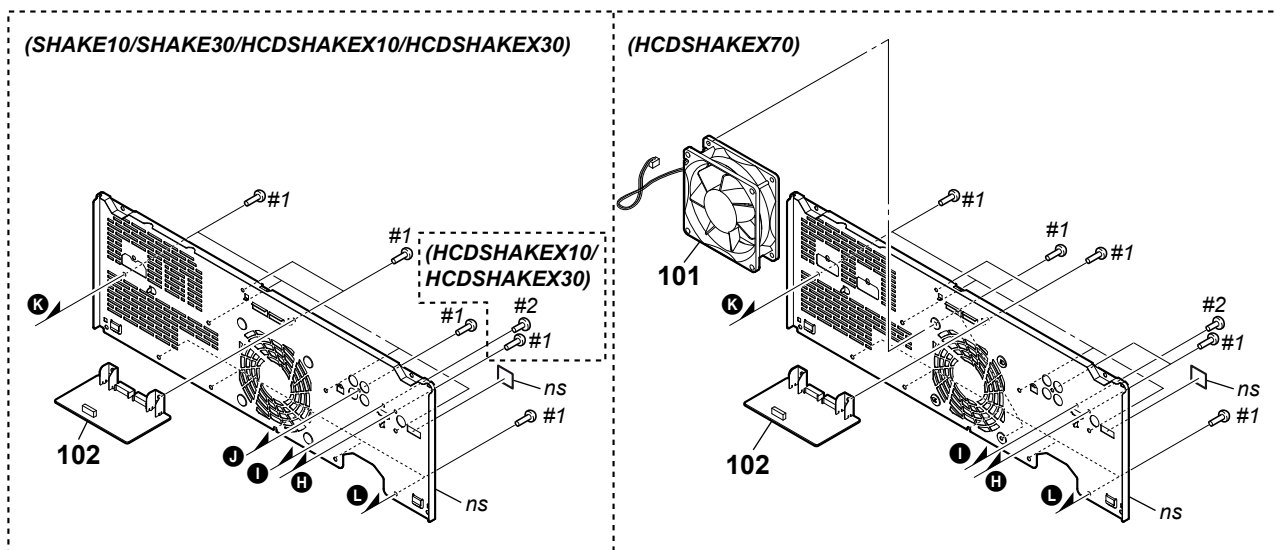
HCD-SHAKE10/SHAKE30/HCDSHAKEX10/HCDSHAKEX30/HCDSHAKEX70

Ver. 1.1

7-2. 2CH DAMP, 4CH DAMP BOARD SECTION

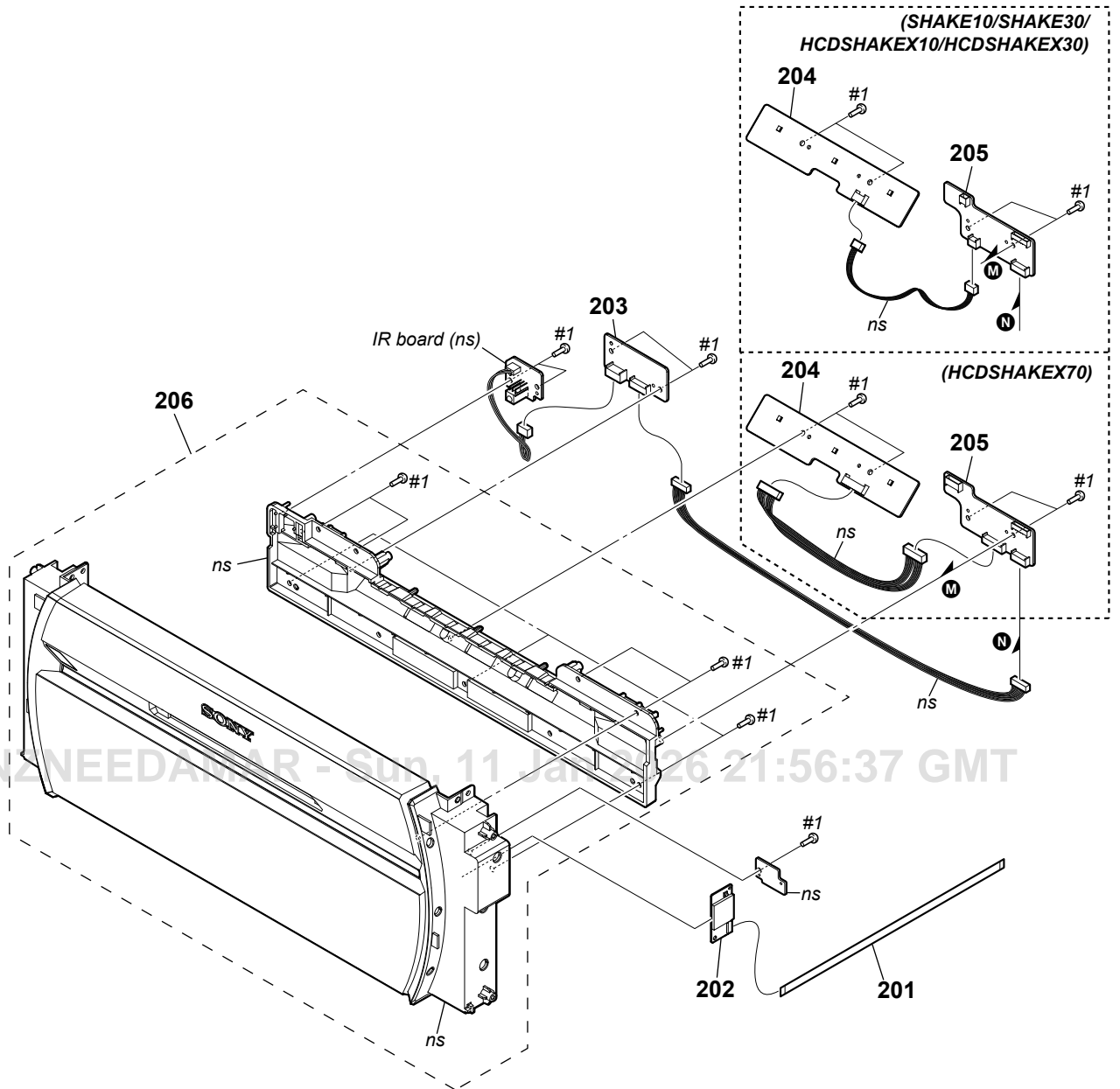


7-3. BACK PANEL SECTION



NZNEEDAN AR 2022/07/31 21:56:37 GMT

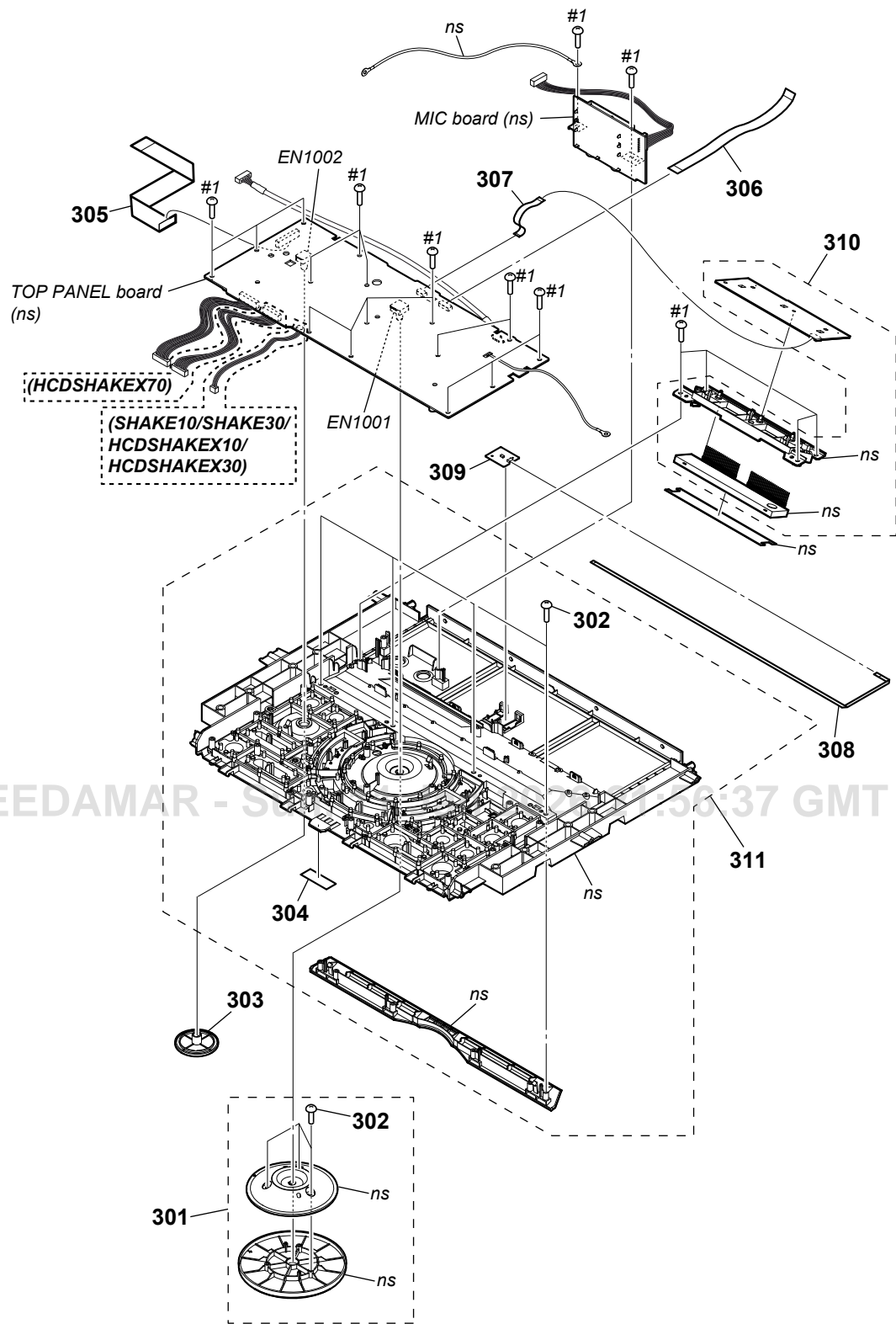
7-5. FRONT PANEL SECTION



Note 1: When the BLUETOOTH MODULE is replaced, refer to "NOTE OF REPLACING MOTHERBOARD BOARD OR BLUETOOTH MODULE OR RC-S730 (WW)" on page 7.

Note 2: If flexible flat cable is replaced, install it after bending it in the same form as that before replacement.

7-7. TOP PANEL SECTION



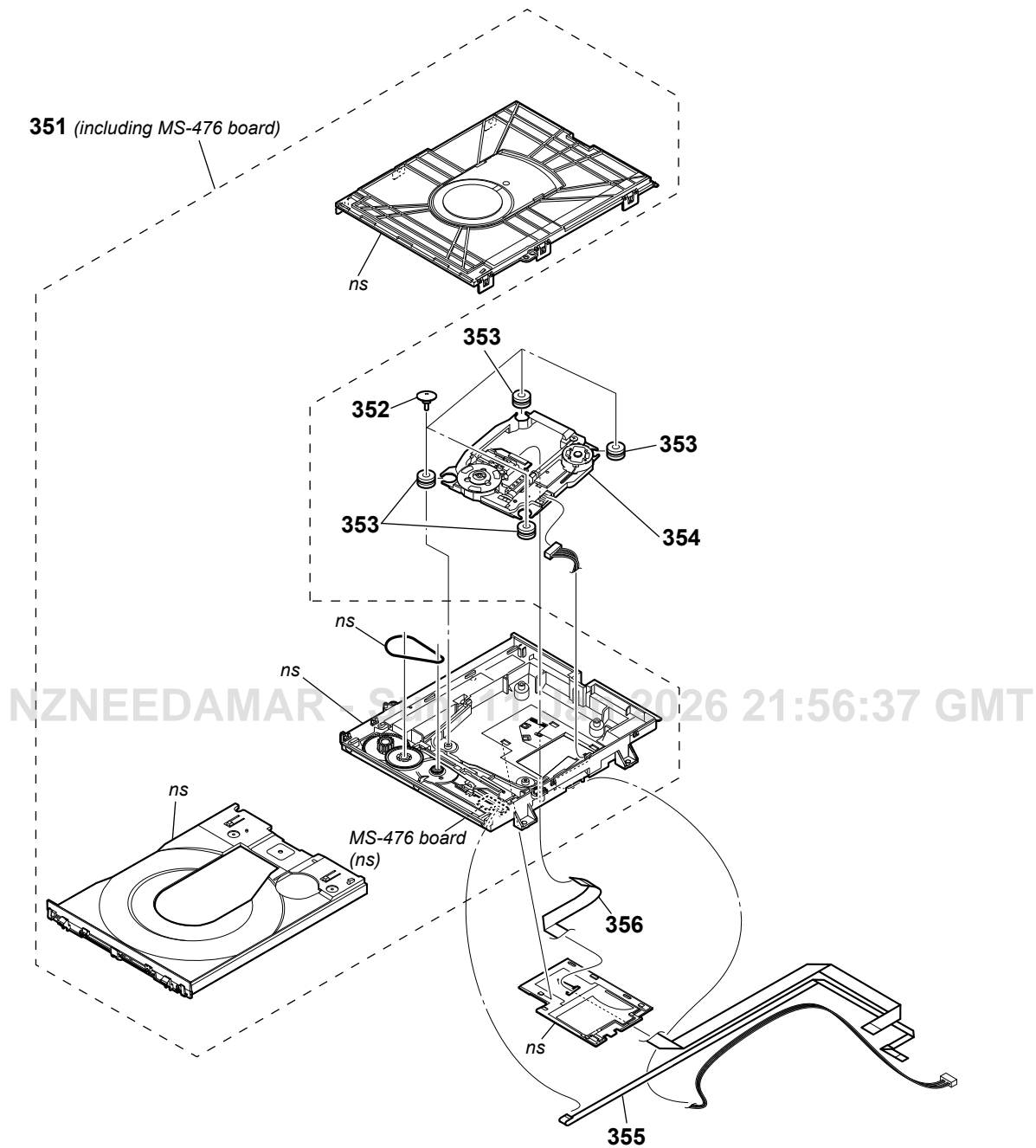
Note 1: When the RC-S730 (WW) is replaced, refer to "NOTE OF REPLACING MOTHERBOARD BOARD OR BLUE-TOOTH MODULE OR RC-S730 (WW)" on page 7.

Note 2: If flexible flat cable is replaced, install it after bending it in the same form as that before replacement.

HCD-SHAKE10/SHAKE30/HCDSHAKEX10/HCDSHAKEX30/HCDSHAKEX70

Ver. 1.3

7-8. CD/DVD MECHANISM SECTION (CDM90-DVBU204//M)



Note: If flexible flat cable is replaced, install it after bending it in the same form as that before replacement.

Ref. No.	Part No.	Description	Remark	Ref. No.	Part No.	Description	Remark
----------	----------	-------------	--------	----------	----------	-------------	--------